

FIRST

 上海富斯特真空泵有限公司
SHANGHAI **FIRST** VACUUM PUMP CO.,LTD.

www.fusitesh.com



以品质和服务为第一

公司介绍 | COMPANY INTRODUCTION

上海富斯特真空泵有限公司是国内唯一专业从事高品质旋片式真空泵研发制造的企业。创建于1997年，是中国真空协会的会员企业，1998年9月11日被上海市政府列入上海市高新技术成果转化项目。目前公司拥有10万台旋片式真空泵生产能力。现有员工120余人，拥有国内资深真空技术专家，现生产的FX系列高速直联旋片式真空泵，广泛应用于国内外镀膜、液晶注入、真空干燥、冷冻干燥、真空脱气、分析仪器、检漏设备、真空热处理炉、烧结炉、照明电子、光学、半导体、科教等所有需要真空环境作业的行业。

FIRST

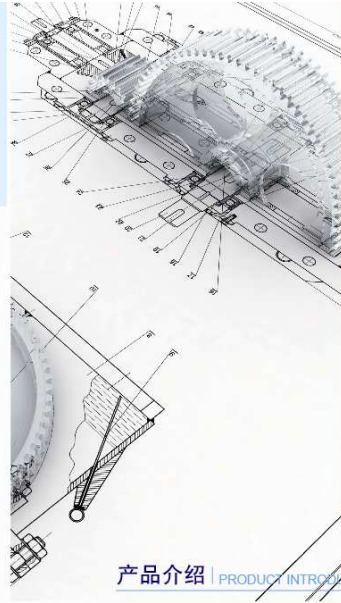


Shanghai First Vacuum Pump Co.,Ltd is the professional high quality rotary vane vacuum pumps enterprise with R&D and manufacturing departments. First is founded in 1997. First is the Chinese Vacuum Society member. First awarded Shanghai High-tech prize on Sep11th,1998. We keep specializing in direct drive oil rotary vane vacuum pumps for decades with 120 staffs and annual output 100,000 vacuum pumps. The products are widely used in various industries like liquid crystal injection, vacuum drying, freeze drying, vacuum degassing, analytical instruments, leak detection equipments, vacuum heat treatment furnace, electronic, optical, lighting semi-conductor, science and education laboratories etc.

富斯特价值观：和谐奋进·开拓创新·诚信正直·追求卓越



精益求精



FIRST

产品介绍 | PRODUCT INTRODUCTION

产品采用国内外最先进的分体式结构、内部气道、内置双重防返油装置等领先技术。
Products adopted advanced split structure, internal airway, double oil anti-return design.

产品采用蠕墨铸铁，具有较强的抗拉、抗弯强度、耐磨性好等性能。
Products adopted vermicular cast iron with strong tensility, flexuaral strength and abrasion resistance

产品采用加工中心加工，保证各部件的同心度、圆度和光洁度、不用“O”形圈、装配简洁、可靠性强。
Products adopted the processing center processing, ensure each component concentricity, round and smooth, without the "O" ring, assembly is simple, strong reliability.

产品支架、油箱、进气嘴、联轴器等主要铝铸件采用真空压铸、光洁美观、不漏油、不渗油。
Products support, mail, air inlet nozzle, couplings and other major aluminum casting with vacuum die casting, bright and clean appearance, no leakage, no oil leakage.

FIRST

FX 系列
高可靠性真空泵



使用范围 | RANGE OF APPLICATION

典型应用 Appliaction fields	FXD-8(2XZ-2)	FXD-16(2XZ-4)	FX-32(2XZ-8)	FX-60(2XZ-15)
镀膜 Coating	/	●	●	●
真空实验室 Laboratory	●	●	●	/
分析仪器 Analyser	●	●	●	/
真空干燥-冻干-烘箱 Vacuum oven	●	●	●	●
检漏仪-检漏 Leak detector	●	●	●	●
电子显微镜-表面分析 EMS	●	●	●	/
真空炉-烧结炉 Vacuum furnace	/	●	●	●
真空过滤 Vacuum filtration	/	●	●	●
负压传送-运输 Negative pressure transmission	●	●	●	●
电光源排气台 Vacuum exhaust station for electric light source	/	●	●	●
真空封装-储存 Vacuum packing	/	●	●	●
罗茨泵前级 pre-pump for Roots pump	/	●	●	●
扩散泵前级 pre-pump for diffusion pump	/	●	●	●
分子泵前级 pre-pump for molecular pump	●	●	●	●

卓越的性能 | EXCELLENT PERFORMANCE

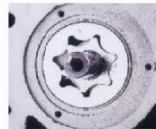
FIRST

- ◆ 整体式泵体
 - ◆ 强制润滑
 - ◆ 双重防返油结构
 - ◆ 可调气镇
 - ◆ 可靠密封
- ◆ 整体式高精度泵体设计，确保产品在不同工况下的可靠运行。
 - ◆ 稳定的内置恒压共有机构，更有效地保持泵的润滑和内部密封使真空更稳定更持久。
 - ◆ 自动防返油阀设计，更可靠地保护您的真空系统在停机后免受油和油蒸汽的污染。
 - ◆ 两档气镇的设置，更方便不同工艺对蒸汽排出的需求。
 - ◆ 进口油封及氟橡胶密封件，更适用于各种工况条件工作。

- ◆ Integrated cylinder structure and high precision design to ensure the pump is able to work reliably in various conditions
- ◆ Constant oil supply pressure system is utilised to maintain the lubrication quality of the oil as well as the reliability of the internal seals. Both measures have been taken to further enhance the reliability and the durability of the vacuum pump.
- ◆ Automatic anti-backflow valve design, to protect the vacuum pump system from the contamination of the oil and the oil vapour after the pump has been stopped.
- ◆ Double gas ballast, meet the different requirements of steam exhaustion.
- ◆ Imported oil seal and fluororubber seals can match different tough working conditions.



双重防返油结构
迅速关闭 防止回流
Auto anti-backflow design



强制润滑
强制泵油润可靠运行
Well Lubricated pumps can stably work for a long service time



可调气镇
极强的水蒸气处理能力
Adjustable gas ballast can well rule out water vapor



整体式泵体
整体式泵体结构静音运行
Integrated cylinder structure

FIRST

FX 系列
高可靠性真空泵

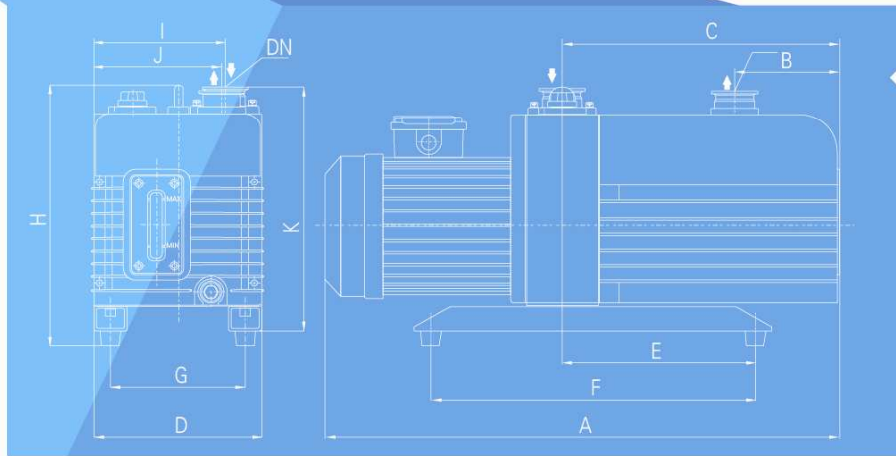
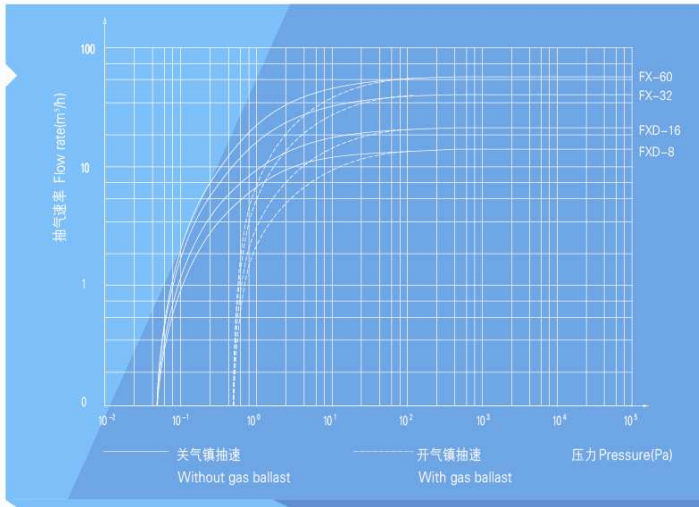


技术参数 | TECHNICAL DATA

8-16 m³/h(2-4L/S)

产品型号 Mode		FXD-8(2XZ-2)	FXD-16(2XZ-4)
几何抽气速度m ³ /h (L/S) Geometry pumping speed m ³ /h (L/s)		8 (2.2)	16 (4.4)
极限分压强Pa Ultimate partial pressure (Pa)	气镇关 Without gas ballast	≤4×10 ⁻²	≤4×10 ⁻²
	气镇开 With gas ballast	≤8×10 ⁻²	≤8×10 ⁻²
极限总压强Pa Ultimate total pressure (Pa)	气镇关 Without gas ballast	≤5×10 ⁻¹	≤5×10 ⁻¹
	气镇开 With gas ballast	≤6×10 ⁻¹	≤6×10 ⁻¹
噪音Lw dB(A) Noise	气镇关 Without gas ballast	62	65
	气镇开 With gas ballast	65	67
水蒸气允许压强(Pa) Allowable pressure of vapor(Pa)		2000	2500
水蒸气抽速率 (L/h) Pumping rate of vapor(L/h)		360	500
进气口径 Inlet Φ		DN25ISOKF	DN25ISOKF
出气口径 Outlet Φ		DN25ISOKF	DN25ISOKF
用油量 Min./max.oil consumption(L)		1.1	1.5
推荐用油牌号 Recommended brand for oil use		HFV-A200	HFV-A200
转速(r/min) Rotating speed:(r/min)		1400	1420
电动机功率(Kw) Motor power(Kw)		0.37	0.55
重量 (三相) (Kg) Weight (3phase) (Kg)		27/29	28.5/34
外形尺寸 (mm) Dimension (mm)		510×170×260	550×170×260

抽气速率曲线 | FLOW RATE CHARACTERISTIC



FX系列直联旋片式真空泵外形及尺寸(mm) The dimension for FX series pump(mm)

TYPE	A	B	C	D	E	F	G	H	I	J	K
FXD-8	510	70	130	170	160	300	110	260	35	80	248
FXD-16	550	70	170	170	160	300	110	260	35	80	248
FX-32	630	310	211	240	117	420	170	410	120	83	380
FX-60	690	370	271	240	117	420	170	410	120	83	380

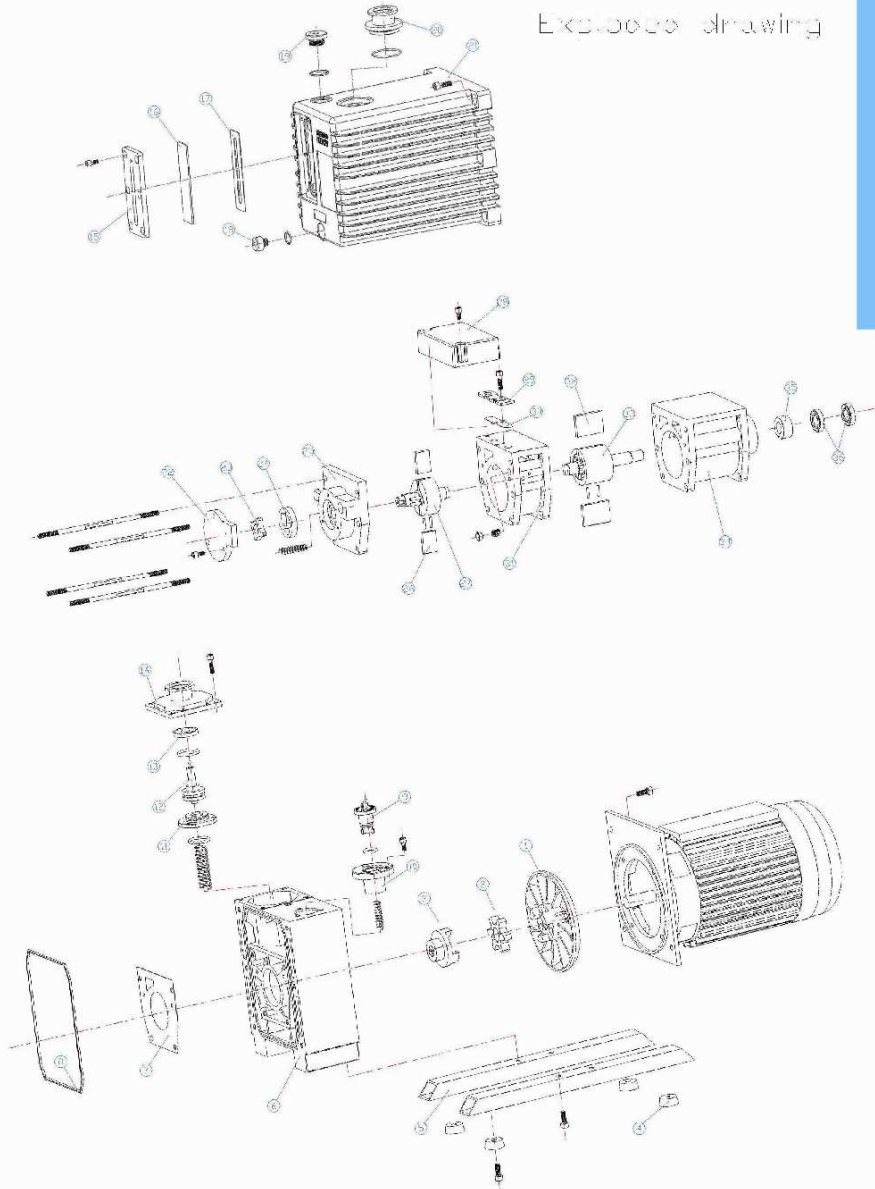


技术参数 | TECHNICAL DATA

32-60 m³/h(8-15L/S)

产品型号 Mode	FX-32(2XZ-8)	FX-60(2XZ-15)
几何抽气速度m ³ /h (L/S) Geometry pumping speed m ³ /h (L/s)	9.3 (33.4)	17.5 (63.0)
名义抽气速度m ³ /h (L/S) Nominal pumping speedm ³ /h (L/S)	8.0 (28.8)	15.0 (54.0)
极限分压强Pa Ultimate partial pressure (Pa)	气镇关 Without gas ballast	≤2×10 ⁻²
	气镇开 With gas ballast	≤8×10 ⁻²
极限总压强Pa Ultimate total pressure (Pa)	气镇关 Without gas ballast	≤5×10 ⁻¹
	气镇开 With gas ballast	≤6×10 ⁻¹
噪音Lw:dB(A) Noise	气镇关 Without gas ballast	69
	气镇开 With gas ballast	71
水蒸气允许压强(Pa) Allowable pressure of vapor(Pa)	3000	4000
水蒸气抽速率 (L/h) Pumping rate of vapor(L/h)	600	1200
进气口径 Inlet Φ	DN40ISOKF	DN40ISOKF
出气口径 Outlet Φ	DN25ISOKF	DN25ISOKF
用油量 Min./max.oil consumption(L)	2.8/3.5	4.0/4.8
推荐用油牌号 Recommended brand for oil use	HFV-A200S	HFV-A200S
转速(r/min) Rotating speed:(r/min)	1400	1420
电动机功率(Kw) Motor power(Kw)	1.1	2.2
重量 (三相) (Kg) Weight (3phase) (Kg)	61	70
外形尺寸 (mm) Dimension (mm)	630×240×410	690×240×410

Exploded drawing



FIRST



FIRST



零部件配件表 | SPARE PARTS

<p>截止阀 Intake closing valve</p>  <p>KF-40/KF-25</p> <p>用于真空泵进气口，根据客户工作需求作选择。</p>	<p>挡油罩 Sieve box</p>  <p>KF-40/KF-25/KF-16</p> <p>用于真空泵排气口，根据客户工作需求作选择。</p>	<p>各类快卸法兰式接头 Joint</p>  <p>KF-40/KF-25/KF-16</p> <p>各类快卸法兰式接头一体化的制作。使性能更加可靠。外表更加美观，装卸更加方便。</p>	<p>快卸法兰式卡箍 Flange</p>  <p>KF-40/KF-25/KF-16</p> <p>用于各种快卸法兰式接头之间的连接与固定。</p>
---	--	--	--

FIRST



誠信立足，創新致遠

SHANGHAI FIRST VACUUM PUMP CO.,LTD





经国内外500强企业用户验证的

高可靠性真空泵

上海富斯特真空泵有限公司
SHANGHAI FIRST VACUUM PUMP CO.,LTD

地址：上海市青浦工业园区大盈天一路428号
邮编：201712
总机：021-59228896
直线：021-59228885 021-59228886
传真：021-59227087
技术咨询、售后服务：15900405819@qq.com
网址：<http://www.fusitesh.com>
国际站：<http://shfusite.en.alibaba.com>
内销：15900405819@qq.com
外销：sales@fxvacpump.com

Add: No.428, Tian Yi Road , Qing Pu District, Shanghai City, China.
Post:201712
Tel:86+21-59228896
86+21-59228885 021-59228886
Fax:86+21-59227087
Technical after-sales consulting: +86-21-59227078
URL:www.fusitesh.com
Alibaba wesite: [Http://shfusite.en.alibaba.com](http://shfusite.en.alibaba.com)
Domestic sales email:15900405819@qq.com
Overseas sales email: sales@fxvacpump.com